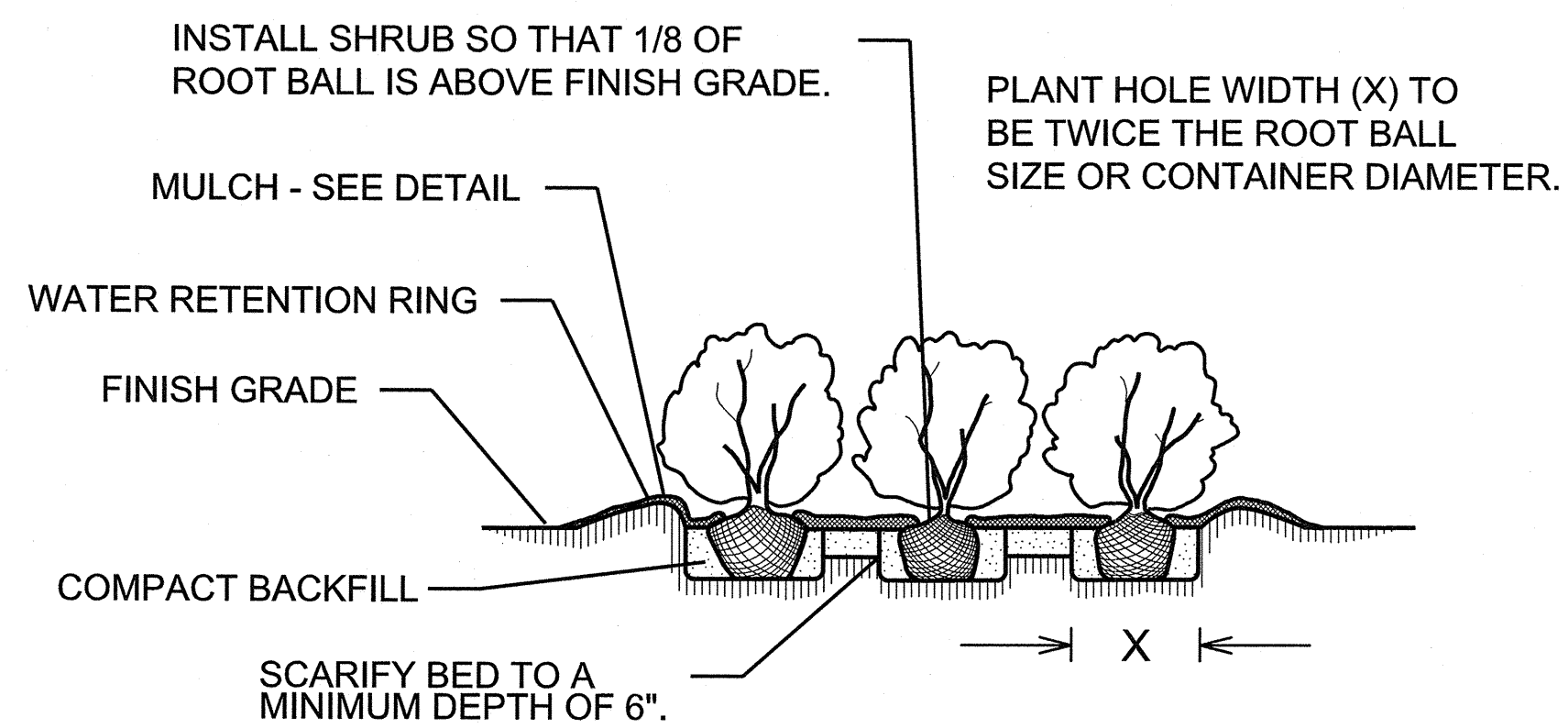
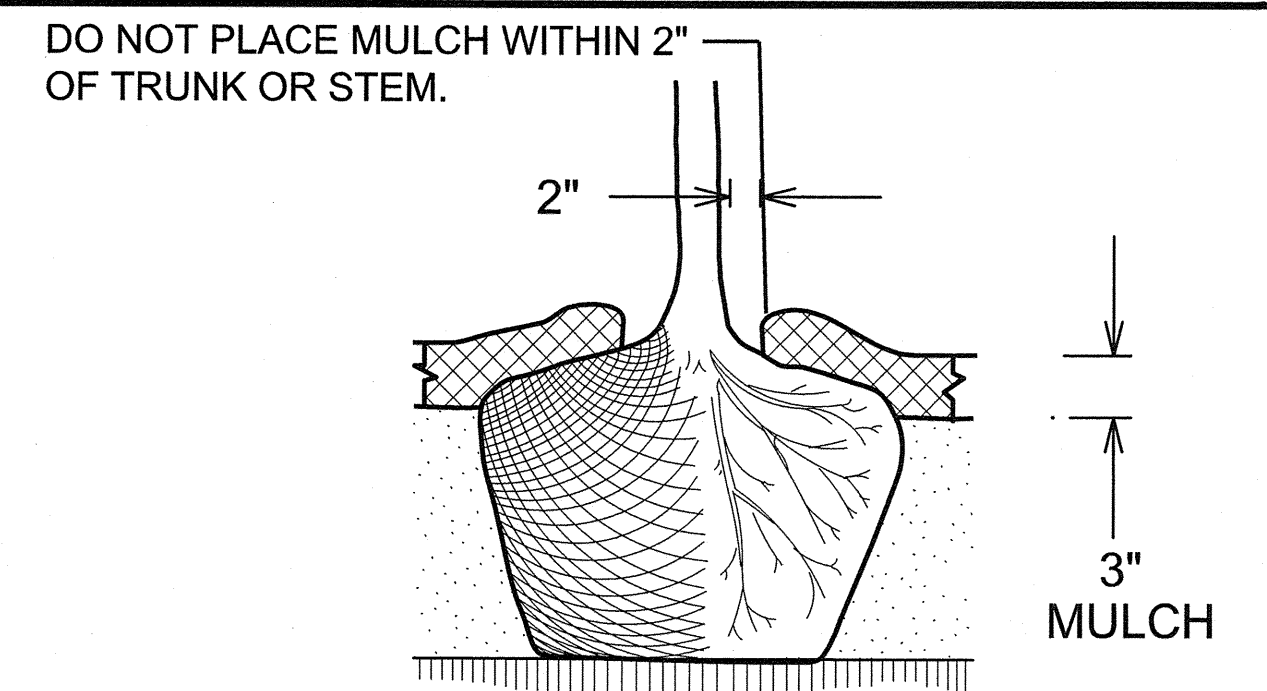
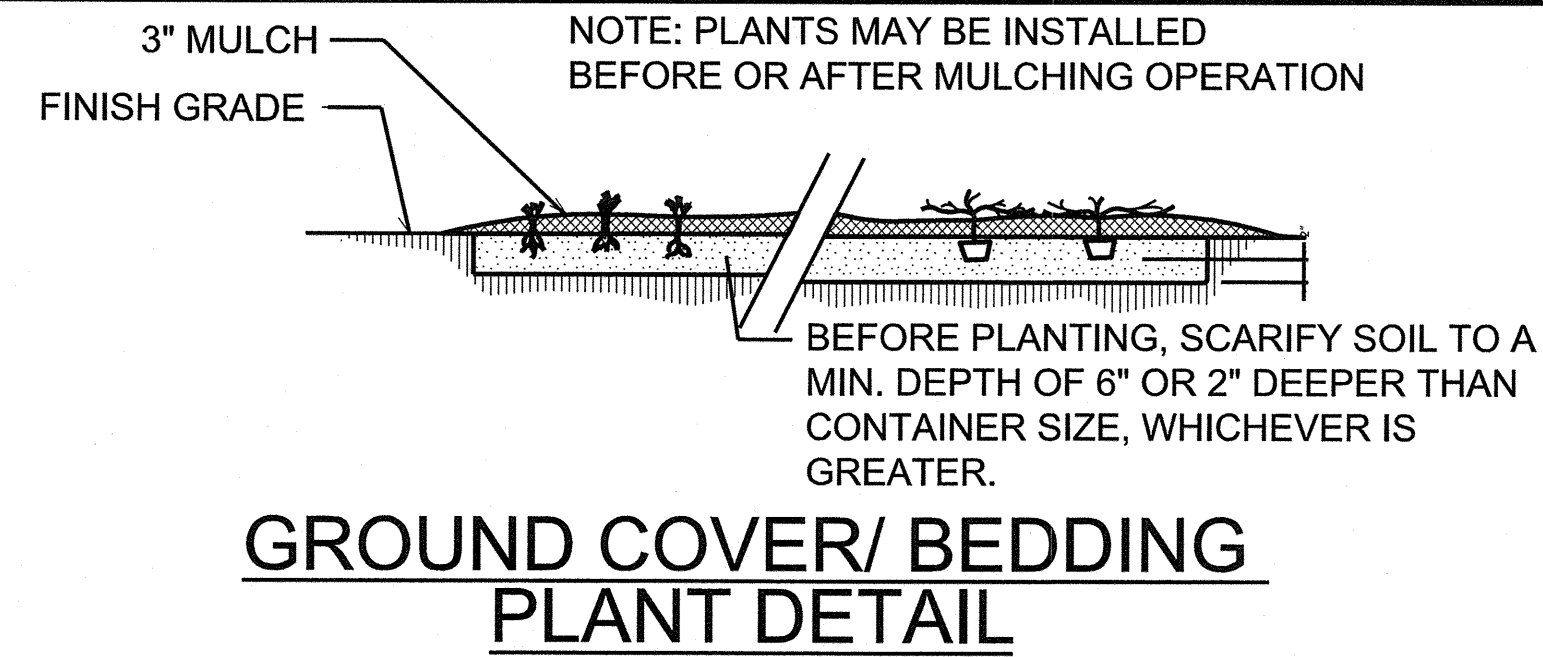
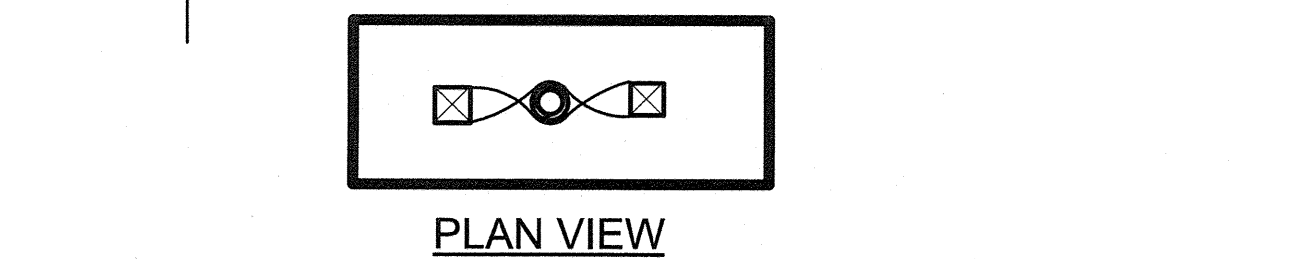
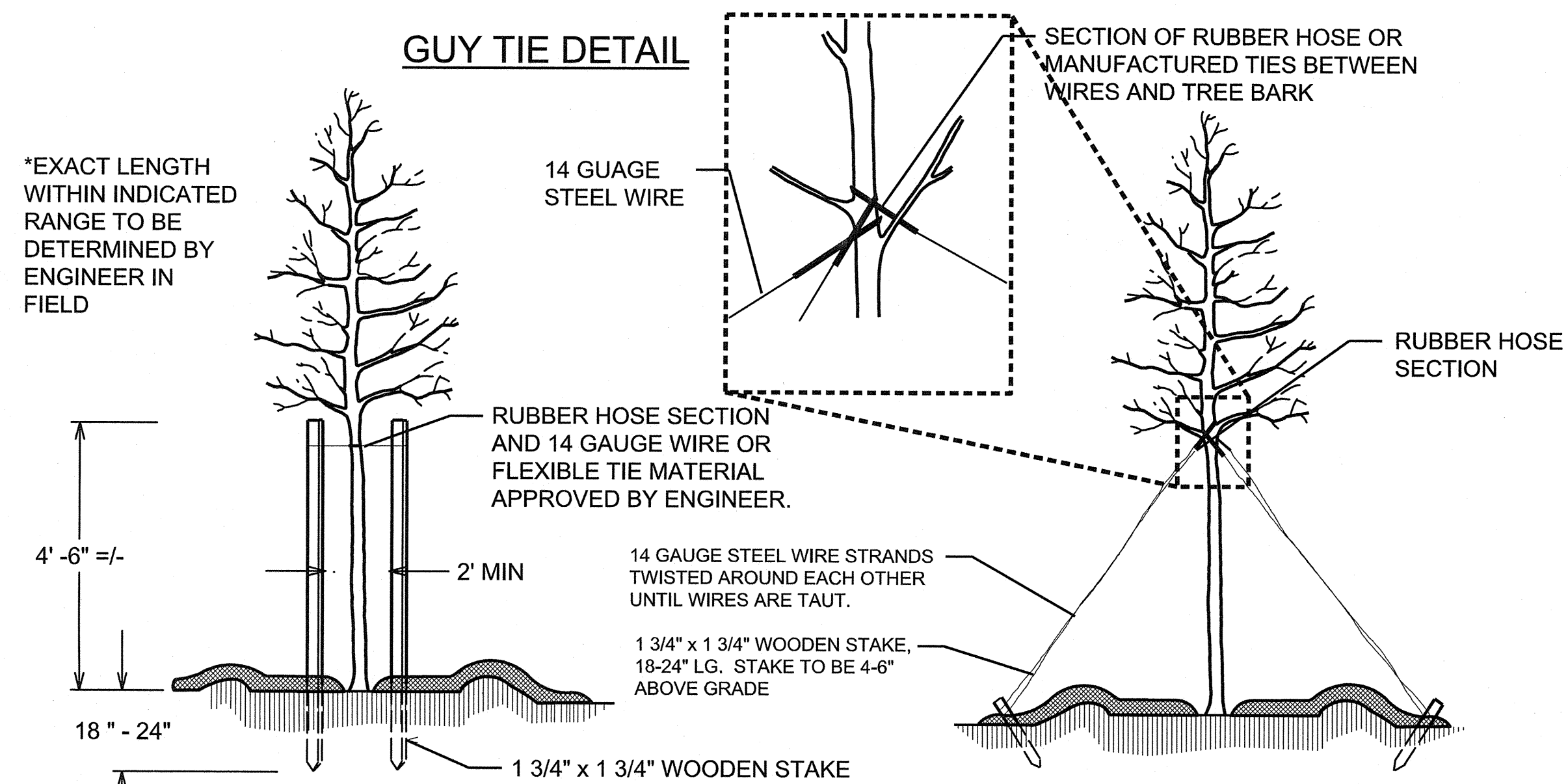


**TREE OR SHRUB PLANTING DETAIL**  
(LEVEL GROUND)

**TREE OR SHRUB PLANTING DETAIL**  
(SLOPING GROUND)

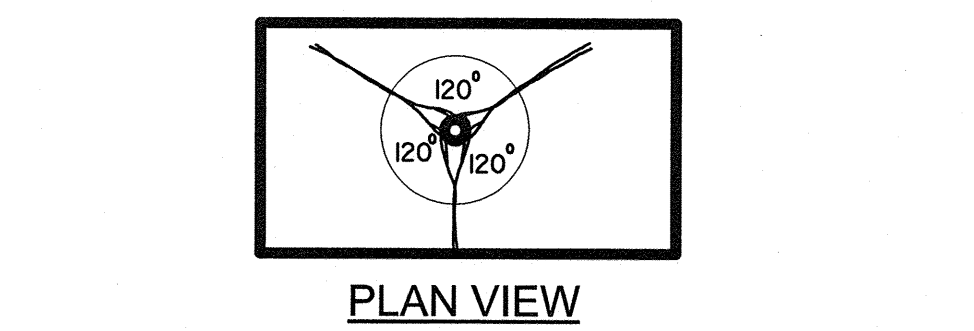


- NOTES:**
- SCHEDULE FOR PLANT HOLE SIZE: PLANT HOLE WIDTH (X) TO BE TWICE THE ROOT BALL SIZE OR CONTAINER DIAMETER.
  - SEE STANDARD SPECIFICATIONS FOR PLANT BED FUMIGATION AND HERBICIDAL TREATMENT.
  - APPLY FERTILIZER AT PLANTING TIME IN THE FORM OF A SLOW RELEASE PELLET OR TABLET. APPLY AT RATE RECOMMENDED BY MANUFACTURER. BOTH RATE AND FORMULATION MUST BE APPROVED BY FIELD ENGINEER PRIOR TO APPLICATION.
  - REMOVE WIRE BASKET AND FOLD BURLAP BACK FROM TOP OF ROOT BALL BEFORE BACKFILLING IS COMPLETE.
  - ALL PRUNING TO FOLLOW STANDARD ARBORICULTURAL PRACTICES AS SPECIFIED BY INTERNATIONAL SOCIETY OF ARBORICULTURE.
  - DO NOT ATTEMPT TO STRAIGHTEN A TREE THAT HAS BEEN PLANTED AT AN ANGLE WITH THE USE OF STAKING OR GUYING. DIG TREE AND REPLANT TO UPRIGHT POSITION.



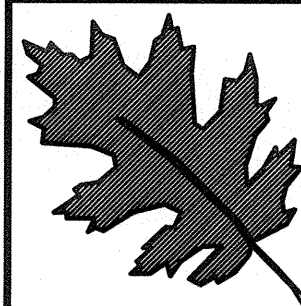
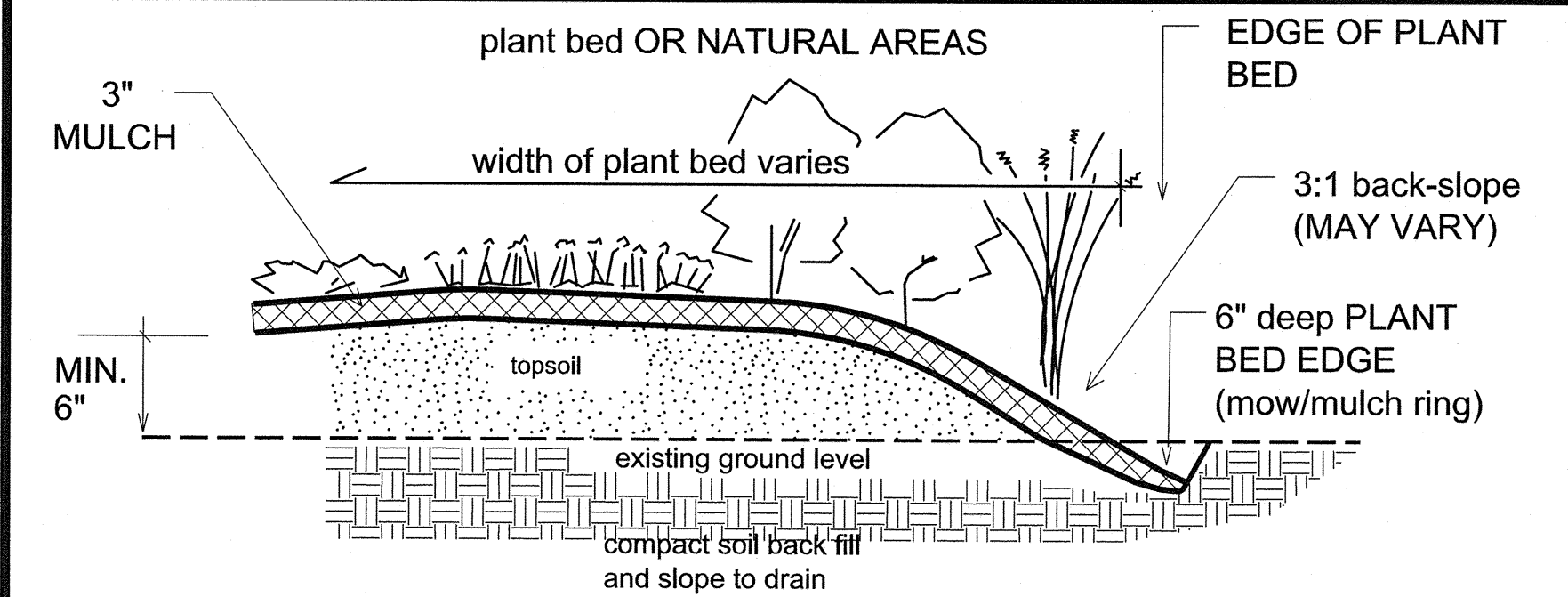
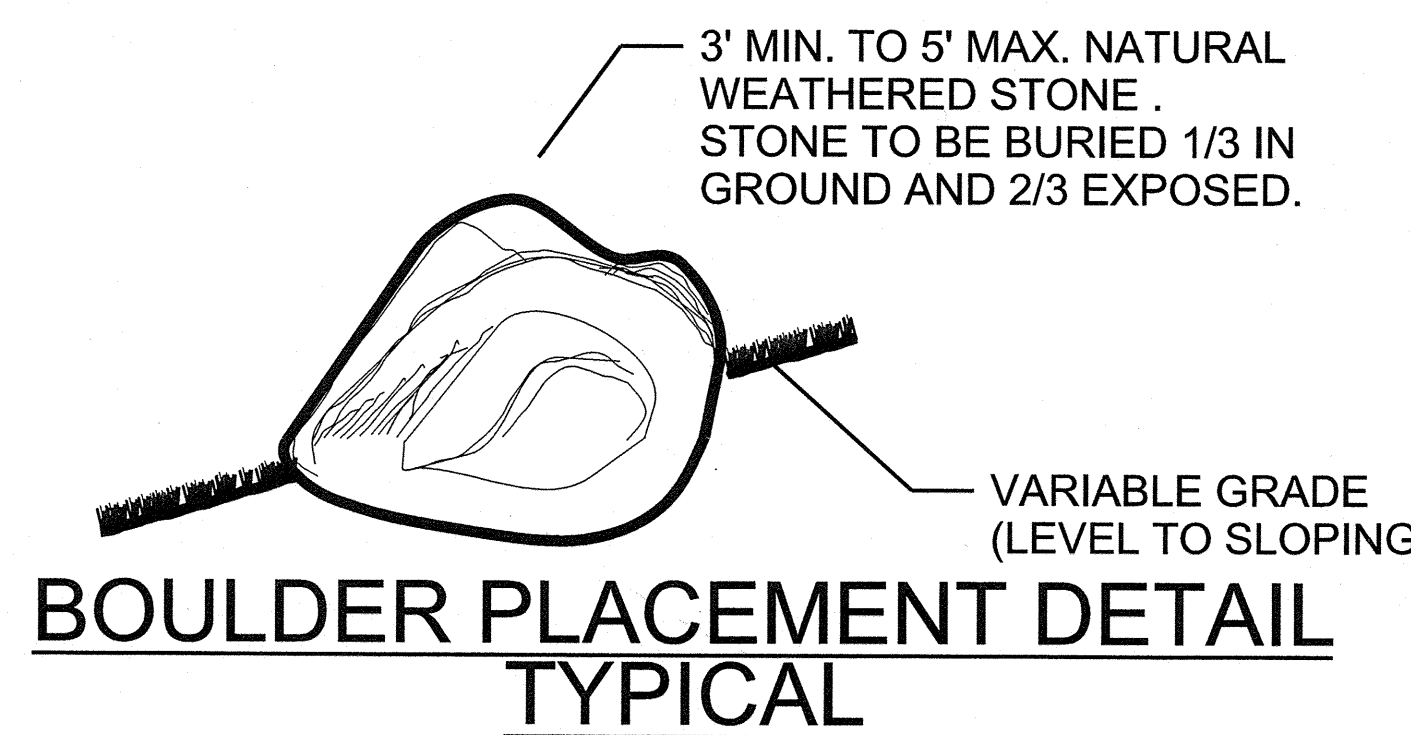
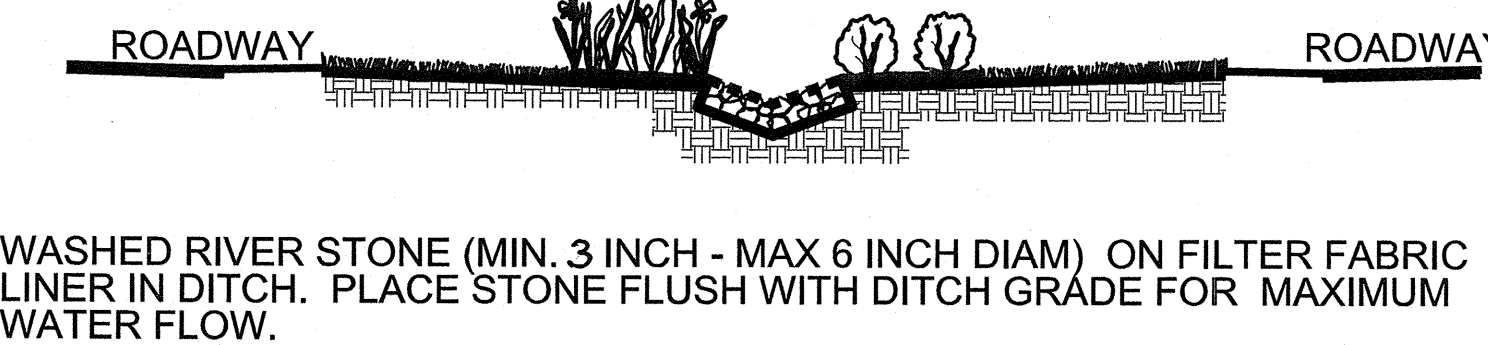
**STAKING DETAIL**  
(TREES 6'-10')

USE AS DIRECTED BY FIELD ENGINEER



**GUYING DETAIL**  
(TREES 10' OR LARGER)

USE AS DIRECTED BY FIELD ENGINEER

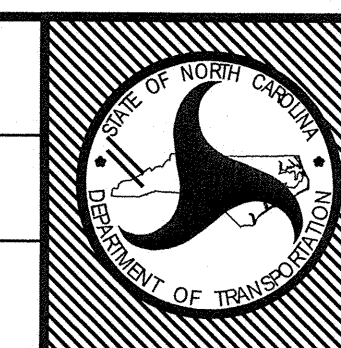


NCDOT - Division 3 - Roadside Environmental Unit  
803 Penderlea Highway Burgaw, NC 28425  
Ph: 910-259-4919 Fax: 910-259-2781  
Contact: Joe Chance

Jacksonville, North Carolina  
Landscape Enhancement Projects  
Onslow County  
contract #:

prel. design date :  
checked by & date : N. NIKOLAEV APRIL 2013  
final design date :

Details



T.I.P. #  
WBS #  
FED I.D. #  
sheet no : total sheet no :  
**L5 6**